



BD-X7

METAL LATHE

BD-X7...50000900MX.... ~230V,50Hz

PARTS LIST



JPW Tool Group Hong Kong Limited
98 Granville Road, Tsimshatsui East, Kowloon, Hong Kong, PRC
www.jettools.com

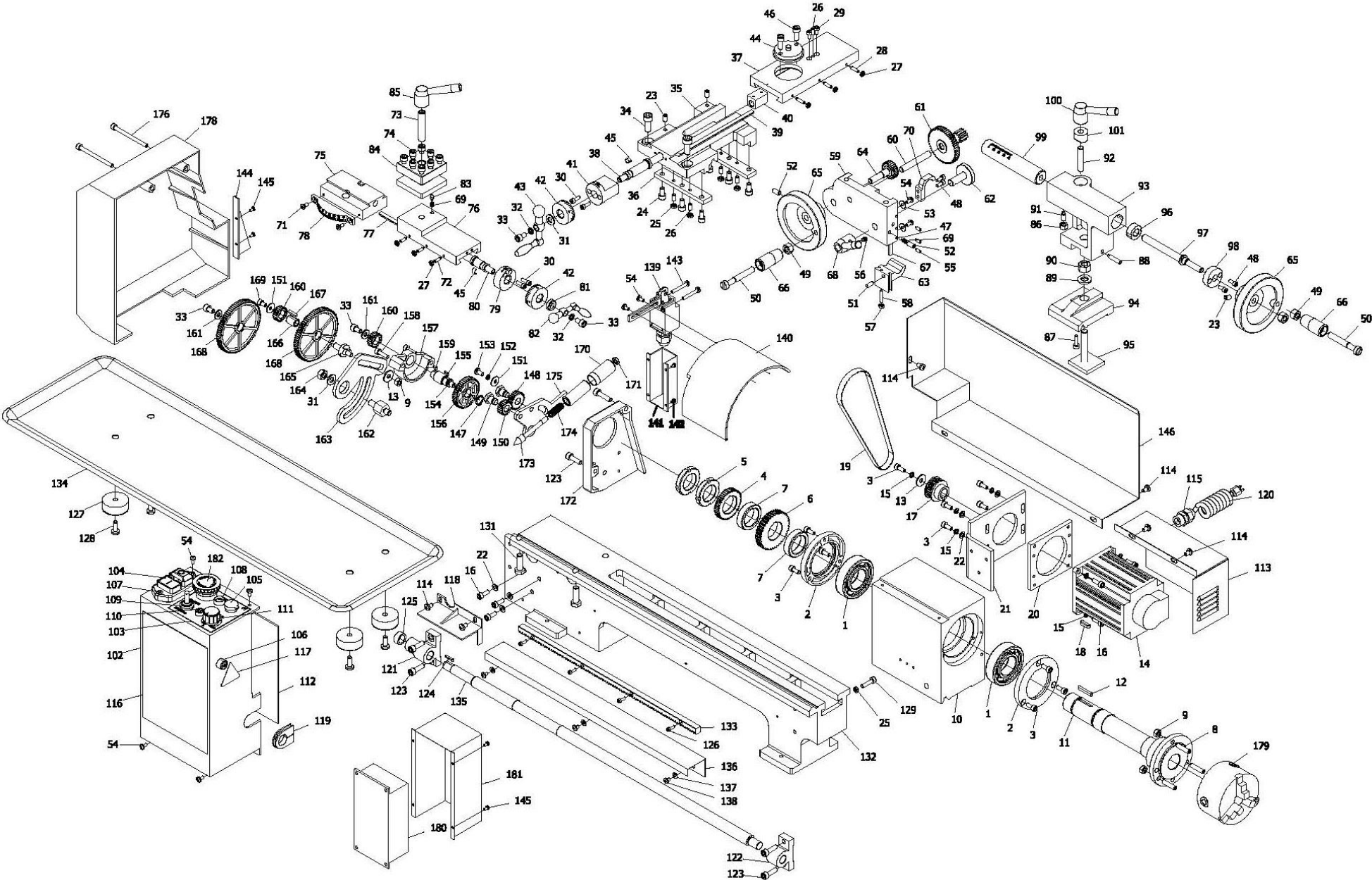
105082, : « »
www.jettools.ru , . 17

Made in PRC /

P-50000900MX

2022-11

Part Breakdown For BD-X7 Metal Lathe



Part List for BD-X7 Metal Lathe

No.	Part no.	Description	Size	Qty.
1	BDX7-001	Bearing	80206	2
2	BDX7-002	Cover		2
3	BDX7-003	Screw	M5*12	11
4	BDX7-004	Spur Gear		1
5	BDX7-005	Nut	M27*1.5	2
6	BDX7-006	Pully		1
7	BDX7-007	Spacer		2
8	BDX7-008	Screw	M6*25	3
9	BDX7-009	Nut	M6	4
10	BDX7-010	Head Stock Casting		1
11	BDX7-011	Spindle		1
12	BDX7-012	Parallel Key	4*28	1
13	BDX7-013	Washer	6	2
14	BDX7-014	Brushless motor	500W	1
15	BDX7-015	Spring Washer	5	9
16	BDX7-016	Screw	M5*14	7
17	BDX7-017	Pully		1
18	BDX7-018	Parallel Key	5*18	1
19	BDX7-019	Timing belt		1
20	BDX7-020	Motor connector		1
21	BDX7-021	Bracket for motor		1
22	BDX7-022	Washer	5	7
23	BDX7-023	Screw	M6*10	3
24	BDX7-024	Screw	M6*12	6
25	BDX7-025	Nut	M5	5
26	BDX7-026	Screw	M5*10	5
27	BDX7-027	Nut	M4	6
28	BDX7-028	Screw	M4*16	3
29	BDX7-029	Screw	M4*8	2
30	BDX7-030	Screw	M4*12	4
31	BDX7-031	Washer	8	2
32	BDX7-032	Spring Washer	M6	2
33	BDX7-033	Screw	M6*10	4
34	BDX7-034	Screw	M8*20	2
35	BDX7-035	Saddle		1
36	BDX7-036	Press board		2
37	BDX7-037	Cross Slide		1
38	BDX7-038	Lead Screw	(Metric)	1
39	BDX7-039	Gib Strip		1
40	BDX7-040	Feeding Nut		1
41	BDX7-041	Dial		1
42	BDX7-042	Dial		2
43	BDX7-043	Handle	(big)	1
44	BDX7-044	Orientation		1
45	BDX7-045	Spring patch		2
46	BDX7-046	Screw	M6*16	2
47	BDX7-047	Steel ball		1
48	BDX7-048	Screw	M4*10	4
49	BDX7-049	Nut	M8	3

Part List for BD-X7 Metal Lathe

No.	Part no.	Description	Size	Qty.
50	BDX7-050	Screw	M8*55	2
51	BDX7-051	Round Pin	A5*12	1
52	BDX7-052	Screw	M6*12	2
53	BDX7-053	Washer	4	2
54	BDX7-054	Screw	M4*8	8
55	BDX7-055	Screw	M4*10	3
56	BDX7-056	Screw	M6*8	1
57	BDX7-057	Nut	M4	1
58	BDX7-058	Screw	M4*20	1
59	BDX7-059	Slide box		1
60	BDX7-060	Shaft		1
61	BDX7-061	Gear		1
62	BDX7-062	Groove Cam		1
63	BDX7-063	Nut	(Metric)	1
64	BDX7-064	Feeding Gear		1
65	BDX7-065	Hand wheel		2
66	BDX7-066	Handle		2
67	BDX7-067	Gib strip		1
68	BDX7-068	Handle nut base		1
69	BDX7-069	Spring		2
70	BDX7-070	Support feet		1
71	BDX7-071	Screw	M4*10	2
72	BDX7-072	Screw	M4*12	3
73	BDX7-073	Screw	M10*50	1
74	BDX7-074	Screw	M6*25	9
75	BDX7-075	Compound Rest		1
76	BDX7-076	Slider		1
77	BDX7-077	Gib strip		1
78	BDX7-078	Angle Block		1
79	BDX7-079	Bracket		1
80	BDX7-080	Cross Feeding Screw		1
81	BDX7-081	Washer		1
82	BDX7-082	Handle		1
83	BDX7-083	Positioning Pin		1
84	BDX7-084	Tool Rest		1
85	BDX7-085	Handle set		1
86	BDX7-086	Nut	M6	1
87	BDX7-087	Screw	M5*16	1
88	BDX7-088	Screw	M5*25	1
89	BDX7-089	Washer	10	1
90	BDX7-090	Nut	M10	1
91	BDX7-091	Screw	M6*14	1
92	BDX7-092	Screw	M8*40	1
93	BDX7-093	Tailstock		1
94	BDX7-094	Tailstock plate		1
95	BDX7-095	Tailstock clamping plate		1
96	BDX7-096	Washer		1
97	BDX7-097	Tailstock Screw		1
98	BDX7-098	Flange		1

Part List for BD-X7 Metal Lathe

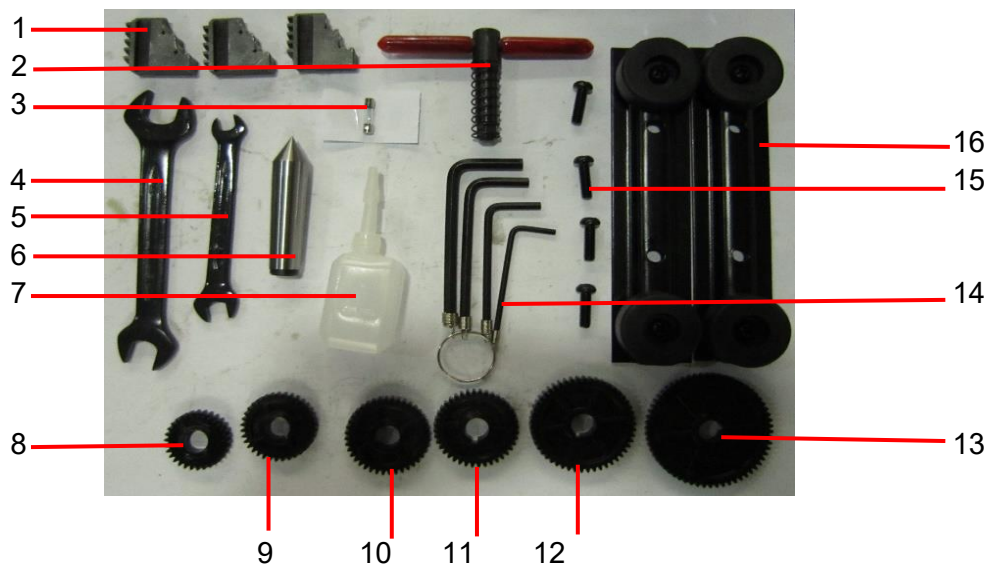
No.	Part no.	Description	Size	Qty.
99	BDX7-099	Tailstock spindle		1
100	BDX7-100	Handle		1
101	BDX7-101	Clamp		1
102	BDX7-102	Cover Series#13040525 and down		1
	BDX7-102A	Cover Series#13040526 and up		1
103	BDX7-103	Switch label Series#13040525 and down		1
	BDX7-103A	Switch label Series#13040526 and up		1
104	BDX7-104	Switch Series#13040525 and down		1
	BDX7-104A	Switch Series#13040526 and up		1
105	BDX7-105	Connector		1
106	BDX7-106	Fuse		1
107	BDX7-107	Screw	M4*10	2
108	BDX7-108	Yellow Indicator Light		1
109	BDX7-109	Switch		1
110	BDX7-110	Power indicator		1
111	BDX7-111	Button		1
112	BDX7-112	PC Board		1
113	BDX7-113	Cover of motor		1
114	BDX7-114	Screw	M5*8	7
115	BDX7-115	Rubber Pipe		1
116	BDX7-116 M	Label		1
117	BDX7-117	Lightning label		1
118	BDX7-118	Defend board		1
119	BDX7-119	Dustproof		1
120	BDX7-120	Power line		1
121	BDX7-121	Left Support		1
122	BDX7-122	Right Support		1
123	BDX7-123	Screw	M6*20	5
124	BDX7-124	Parallel key	3*16	1
125	BDX7-125	Washer		1
126	BDX7-126	Screw	M3*10	4
127	BDX7-127	Washer		4
128	BDX7-128	Screw	M6*16	4
129	BDX7-129	Screw	M5*20	1
131	BDX7-131	Screw	M8*25	3
132	BDX7-132	Bed way		1
133	BDX7-133	Long Rack		1
134	BDX7-134	Tray		1
135	BDX7-135	Lead Screw		1
136	BDX7-136	Cover		1
137	BDX7-137	Washer	4	3
138	BDX7-138	Screw	M4*6	6
139	BDX7-139	Switch		1
140	BDX7-140	Cover of chuck		1
141	BDX7-141	Cover of switch		1
142	BDX7-142	Screw	M3*5	4
143	BDX7-143	Screw	M4*30	2
144	BDX7-144	Cover board		1

Part List for BD-X7 Metal Lathe

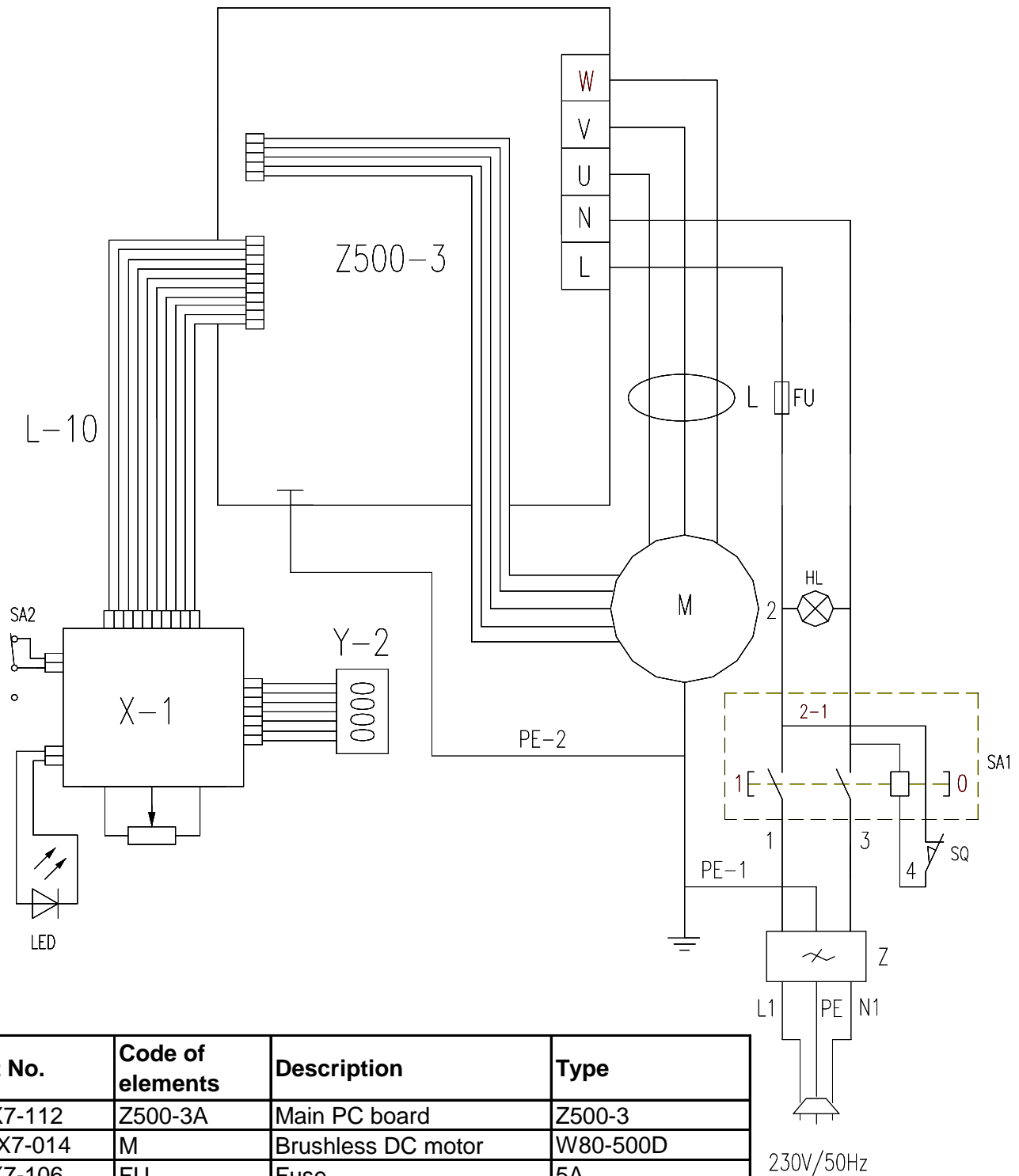
No.	Part no.	Description	Size	Qty.
145	BDX7-145	Screw	M3*6	6
146	BDX7-146	Cover		1
147	BDX7-147	Spring washer	12	1
148	BDX7-148	Gear	I	1
149	BDX7-149	Feeding Gear		2
150	BDX7-150	Gear	II	1
151	BDX7-151	Washer	5	2
152	BDX7-152	Spring washer	M5	1
153	BDX7-153	Screw	M5*10	1
154	BDX7-154	Fixed Screw		1
155	BDX7-155	Parallel key	3*8	1
156	BDX7-156	Gear		1
157	BDX7-157	Gear support		1
158	BDX7-158	Screw	M5*20	2
159	BDX7-159	Parallel key	3*6	1
160	BDX7-160	Gear		2
161	BDX7-161	Washer		2
162	BDX7-162	Support Screw		1
163	BDX7-163	Support Plate		1
164	BDX7-164	Nut	M8	1
165	BDX7-165	Shaft		1
166	BDX7-166	Gear sleeve		1
167	BDX7-167	Key		1
168	BDX7-168	Gear		2
169	BDX7-169	Screw	M5*8	1
170	BDX7-170	Handle sleeve1		1
171	BDX7-171	Nut	M6	1
172	BDX7-172	Fixed board1		1
173	BDX7-173	Indicator1		1
174	BDX7-174	Compression Spring1		1
175	BDX7-175	Board1		1
176	BDX7-176	Screw	M5*65	2
177	BDX7-177	Support board1 Series# 13061252 and down		1
		CANCEL		
178	BDX7-178	Cover1		1
179	BDX7-179	Chuck1		1
180	BDX7-180	Filter		1
181	BDX7-181	Cover		1
182	BDX7-182	Emergency stop switch Series# 13040526 and up		1

Standard Accessories List for BD-X7 Metal Lathe

No.	Part no.	Description	Size	Qty.
1	BDX7-ACC-01	External jaw for 3 jaw chuck		1set
2	BDX7-ACC-02	Chuck key for 3 jaw chuck		1
3	BDX7-ACC-03	Fuse	250V 5A	1
4	BDX7-ACC-04	Double end wrench	14x17	1
5	BDX7-ACC-05	Double end wrench	8x10	1
6	BDX7-ACC-06	Taper center	MT2	1
7	BDX7-ACC-07	Oil can		1
8	BDX7-ACC-08	Change gear	30T	1
9	BDX7-ACC-09	Change gear	35T	1
10	BDX7-ACC-10	Change gear	40T	1
11	BDX7-ACC-11	Change gear	40T	1
12	BDX7-ACC-12	Change gear	50T	1
13	BDX7-ACC-13	Change gear	60T	1
14	BDX7-ACC-14	L hex wrench	3,4,5,6	each 1
15	BDX7-ACC-15	Screw		2
16	BDX7-ACC-16	Rubber feet	M8X24	4



BD-X7-M...50000900MX.....1~230V,Hz



Part No.	Code of elements	Description	Type
BDX7-112	Z500-3A	Main PC board	Z500-3
BD-X7-014	M	Brushless DC motor	W80-500D
BDX7-106	FU	Fuse	5A
BDX7-X1	X-1	Knob panel	
BDX7-108	LED	Yellow lamp	H-1
BDX7-110	HL	Green lamp	ZD10
BDX7-139	SQ	Micro switch	QKS7
BDX7-182	SB	Emergency switch	HY57B-3-3
BDX7-104A	SA1	Power switch	KJD17C-10FT
BDX7-110	SA2	F/O/R switch	HY29H
BDX7-180	Z	Filter	XMT-2305L
BDX7-L	L	Ferrite core	